

# DLT-V4108

## Vehicle-Mounted Terminal with Integrated Keyboard



### Features

- Intel® Atom™ E3826 dual-core, 1.46 GHz, processor
- 8" widescreen color TFT display with high brightness (750 nits)
- Rugged, IP65-rated design with 5M3 certification and integrated keyboard
- LTE, GPS, Wi-Fi®, and Bluetooth® capabilities
- Integrated uninterruptible power supply (supports up to 15 minutes operation)
- Wide operating temperature range (-30 ~ 50 °C/-22 ~ 122 °F) to withstand extreme environments

### Introduction

DLT-V4108 is a rugged vehicle-mounted terminal with integrated keyboard; designed to provide maximum service life for logistics applications. With its 5M3 certification and IP65 rating for protection from water and dust ingress, and support for a wide operating temperature range (-30 ~ 50 °C/-22 ~ 122 °F), DLT-V4108 can withstand operation in extreme industrial environments. The terminal's slim and compact form factor make it suitable for installation in limited spaces, such as narrow vehicle cabins. Furthermore, the integrated ergonomic keyboard (which can be rapidly replaced onsite for easy maintenance) combined with the 8" touchscreen with projected capacitive touch control (which also supports gloved operation) ensure convenient data input and rapid real-time data collection. Finally, the inclusion of Wi-Fi®, LTE, and Bluetooth® technologies offer reliable connectivity and communication for optimized logistics management.

### Specifications

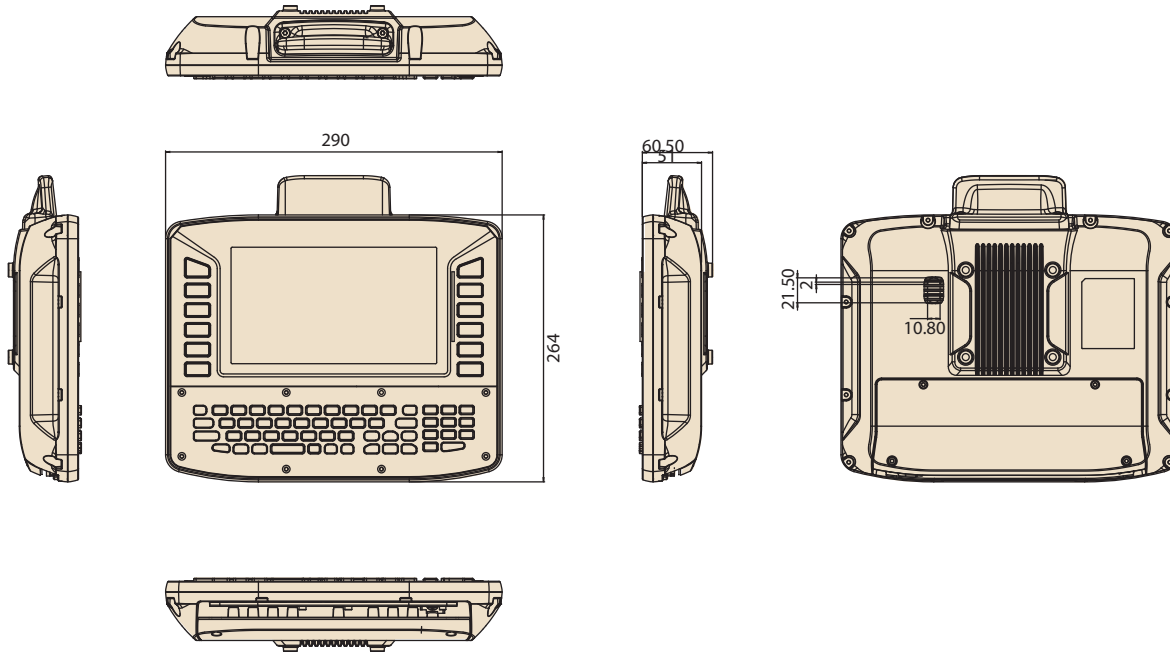
System	CPU	Intel® E3826 dual-core, 1.46 GHz, with 4 GB RAM
	Memory	32 GB MLC-Fast
Housing		Coated aluminum with completely sealed, fanless design
Dimensions (W x H x D)		290 x 264 x 60.5 mm ( 11.42 x 10.39 x 2.38 in)
Weight		3.4 kg (7.49 lb) without antenna
Display		8" color TFT with 1024 x 600 resolution and 750 cd/m <sup>2</sup> brightness
Touchscreen	Type	Projected capacitive multi-touch
Control Buttons	Front Panel	12 x control buttons
	Keyboard	QWERTY version
Software	Operating System	Windows 10 IoT Enterprise, Windows 7/8 Pro, WES7, WE8S, Windows Embedded Compact 7*
Communication	Wi-Fi	Wi-Fi IEEE 802.11 a/b/g/n
	WWAN	WWAN (GSM, GPRS, EDGE, UMTS, HSPA, LTE) (optional)
	LAN	Ethernet 10/100/1000 Mbit/s with optional secondary Ethernet
	WPAN	Bluetooth 4.0
Location-Based Services		GPS (optional)
I/O Interfaces	Serial, USB	1 x RS-232 with 12 V <sub>DC</sub> , 1 x USB 2.0 host Type A, and 1 x service USB 2.0 with additional USB and RS-232 via master harness cable
	CAN	Via master harness cable
	External Antennas	1 x RSMA for Wi-Fi, 1 x SMA for WWAN, and 1 x SMA for GPS
Audio		1 x integrated speaker (2W) 1 x Mic-In, 1 x Line-In, and 1 x Line-Out via master harness cable
Power Supply (Internal)		12/24/48 V <sub>DC</sub> nominal voltages (9 ~ 60 V <sub>DC</sub> min./max.) with automatic Power On/Off functionality via vehicle ignition and optional uninterruptible power supply (15 minutes typical)
Environmental	IP Rating	IP65 rating for the entire system
	Touchscreen Durability	IK 06 according to IEC 62262
	Operating Temperature	-30 ~ 50 °C (-22 ~ 122 °F)
	Relative Humidity	10 to 90% at 40 °C (104 °F), non-condensing
Certification	Shock/Vibration	5M3 (EN 60721-3-5) and MIL-STD 810F (US highway truck vibration exposure)
		CE Immunity Class A, Emission Class B/FCC Class B, CCC (for China)



**Advantech Partner**  
**Beratung-Verkauf-Service**  
Integer Solutions GmbH  
Industriestraße 4, 61200 Wölfersheim  
Tel.: +49-6036-90557-0  
www.integer-solutions.com

## Dimensions

Unit: mm



## Ordering Information

Part Number	Description	CPU	Memory	Storage	Wi-Fi	BT	GPS	LTE	OS	OS language
DLV4108-7PL210W0E	DLT-V4108 32G Cfast/Win10IoT/WIFI	Intel Atom E3826 Dual Core 1.46GHz	4GB	32GB	V	V	X	X	Win10IoT	English, German, Chinese simpl.
DLV4108-7PL21FW0E	DLT-V4108 32G Cfast/Win10IoT/WIFI+GPS+LTE(EU)	Intel Atom E3826 Dual Core 1.46GHz	4GB	32GB	V	V	V	V	Win10IoT	English, German, Chinese simpl.
DLV4108-7PL21DW0E	DLT-V4108 32G Cfast/Win10IoT/WIFI+GPS+LTE(China)	Intel Atom E3826 Dual Core 1.46GHz	4GB	32GB	V	V	V	V	Win10IoT	English, German, Chinese simpl.
DLV4108-7PL21SW0E	DLT-V4108 32G Cfast/Win10IoT/WIFI+GPS+LTE(US)	Intel Atom E3826 Dual Core 1.46GHz	4GB	32GB	V	V	V	V	Win10IoT	English, German, Chinese simpl.
DLV4108-7PL2MOW1E	DLT-V4108 32G Cfast/WIFI/32G Cfast/ WEC7 English	Intel Atom E3826 Dual Core 1.46GHz	4GB	32GB	V	V	X	X	WEC7	English
DLV4108-7PL2MOW0E	DLT-V4108 32G Cfast/WIFI/32G Cfast/ WEC7 Chinese simpl.	Intel Atom E3826 Dual Core 1.46GHz	4GB	32GB	V	V	X	X	WEC7	Chinese simpl.

\* Further configurations on request!

## Packing List

- Power Cable VDC 3m

## Optional Accessories

Part Number	Description
DL-MTKT004	Mounting bracket 15° fixed
DL-MTRM001	RAM Mount double 1.5" (arm 150mm, tube mount)
DL-MTRM002	RAM Mount double arm 1.5" (2 arm 150mm)
DL-MTRM003	RAM-Mount long (arm 215mm/plate)
DL-MTRM004	RAM Mount short 2.25" (arm 130mm/plate)
DL-STYLO10	Stylus with mounting, right, for PCT

Further configurations on request!

## I/O Connectors

